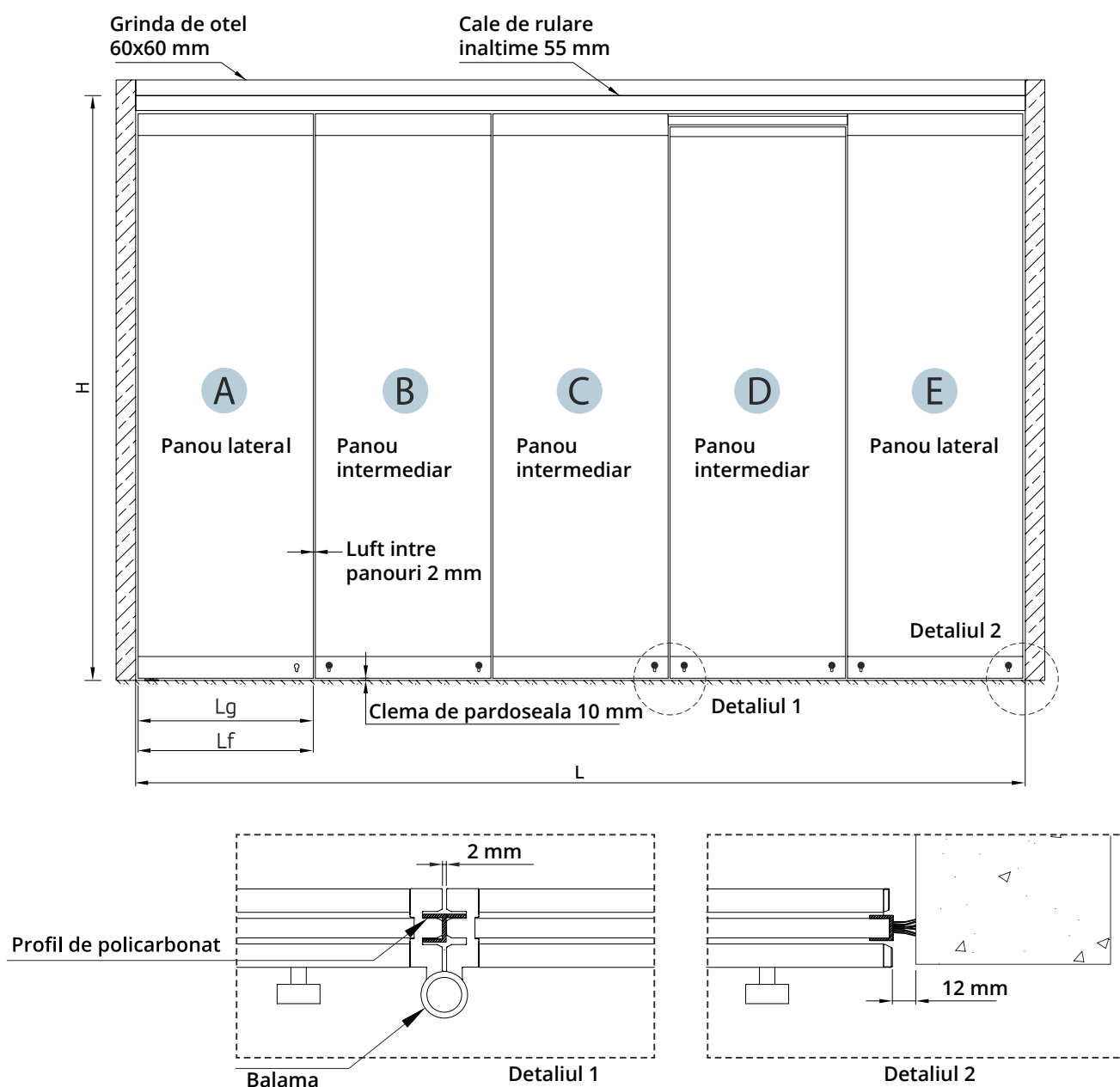


Incarcare dinamica maxim 90 kg/panou
Latime maxima panou 950 mm
Inaltime maxima panou 3000 mm
Sticla 10 mm

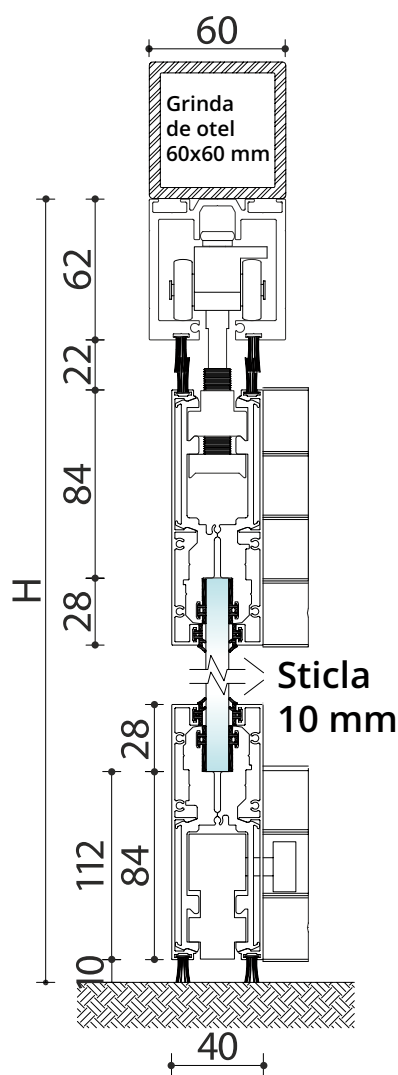


Sistem armonica de pereti amovibili RLD-FW52 - detalii constructive si de montaj



Panou glisant

Inaltime sticla = Inaltime totala(H) - 262 mm



Lg - Latime sticla
Lf - Latime panou sticla
L - Latime totala
n - numar de panouri

Formula de calcul latime sticla

$$Lg=Lf=\frac{\{L-(n-1)\times 2 - (2\times 12)\}}{n}$$