

Adancime maxima 1038 mm

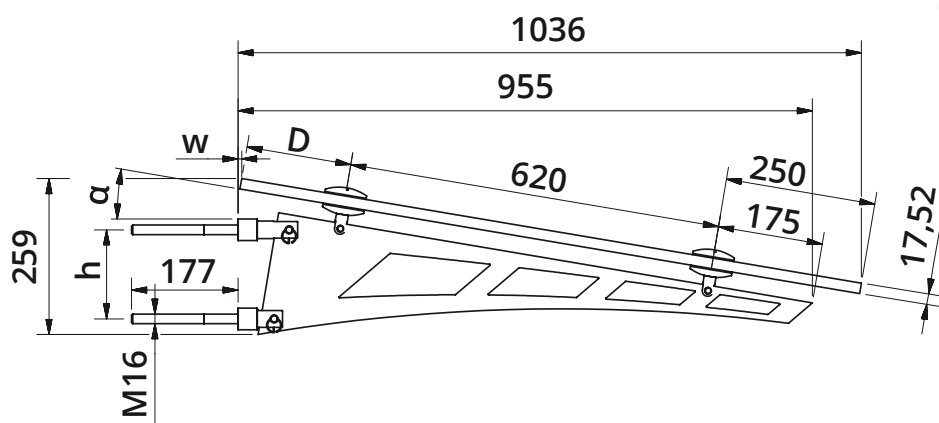
Latime maxima

*2000 mm cu 2 console

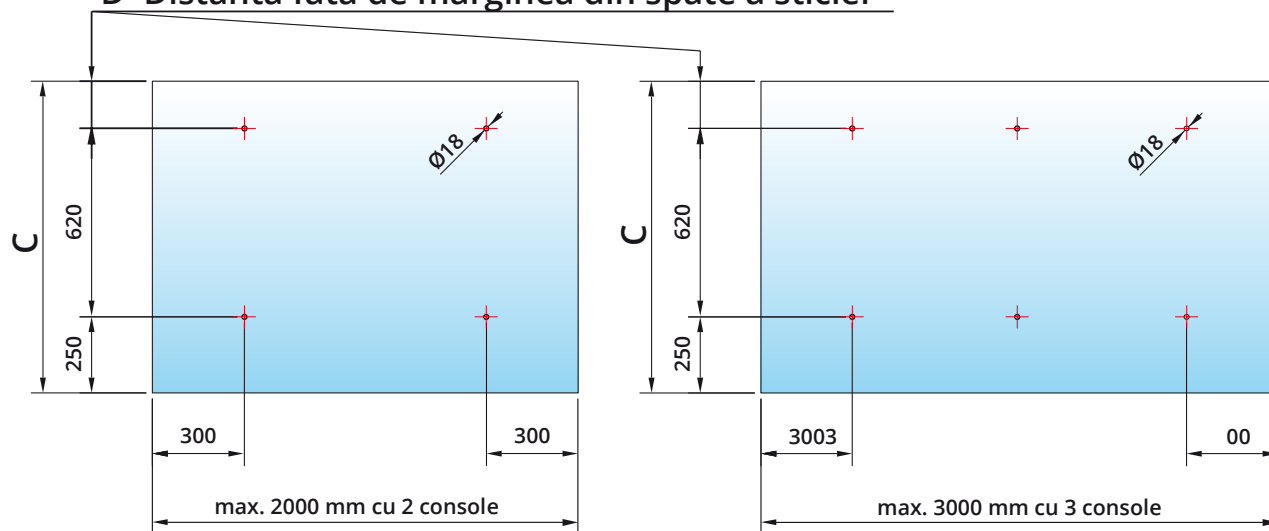
*3000 mm cu 3 console



Set copertina cu consola sticla 12,76-17,52 mm - dimensiuni de gabarit si detalii prelucrare sticla



D Distanța fata de marginea din spate a sticlei



| | | | | | | |
|--|------|------|------|------|------|------|
| Cota A | 42 | 47 | 52 | 57 | 62 | 67 |
| Cota B | 42 | 42 | 42 | 42 | 42 | 42 |
| Cota h | 150 | 150 | 150 | 150 | 149 | 149 |
| Cota w | 10 | 10 | 10 | 10 | 10 | 10 |
| Inclinatia α | 0° | 2° | 4° | 6° | 8° | 10° |
| Cota C (Adancimea sticlei) | 1003 | 1010 | 1017 | 1024 | 1031 | 1038 |
| Cota D (Distanta fata de marginea sticlei) | 133 | 140 | 147 | 154 | 161 | 168 |