

Info produs profil U balustrada tip Y View Crystal fixare laterala

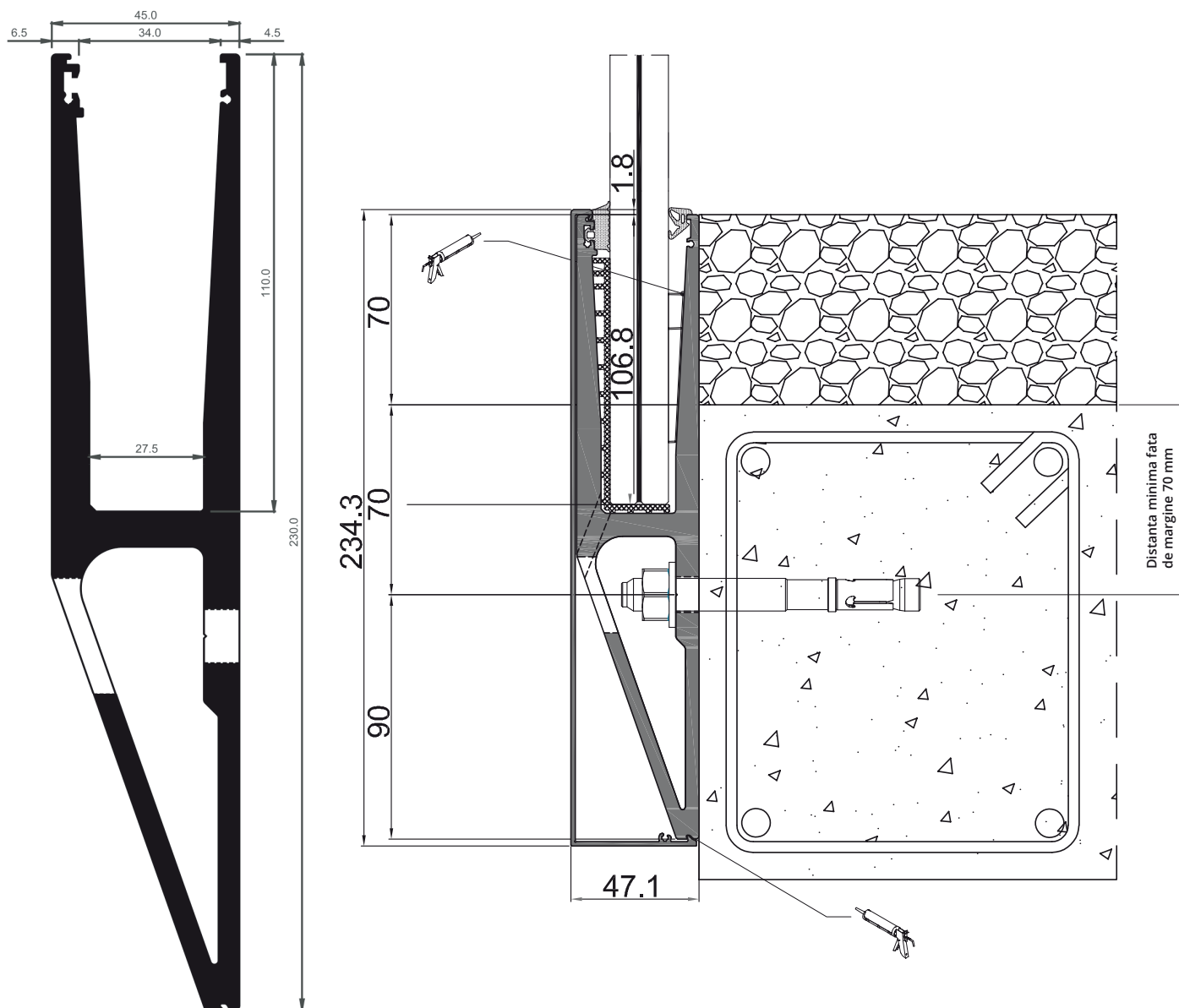
railing DESIGN

Incarcare dinamica profil pana la 3,0 kN/m
Sticla 12,38-21,52 mm
Inaltime maxima sticla 1100 mm
Lungime profil 6100 mm

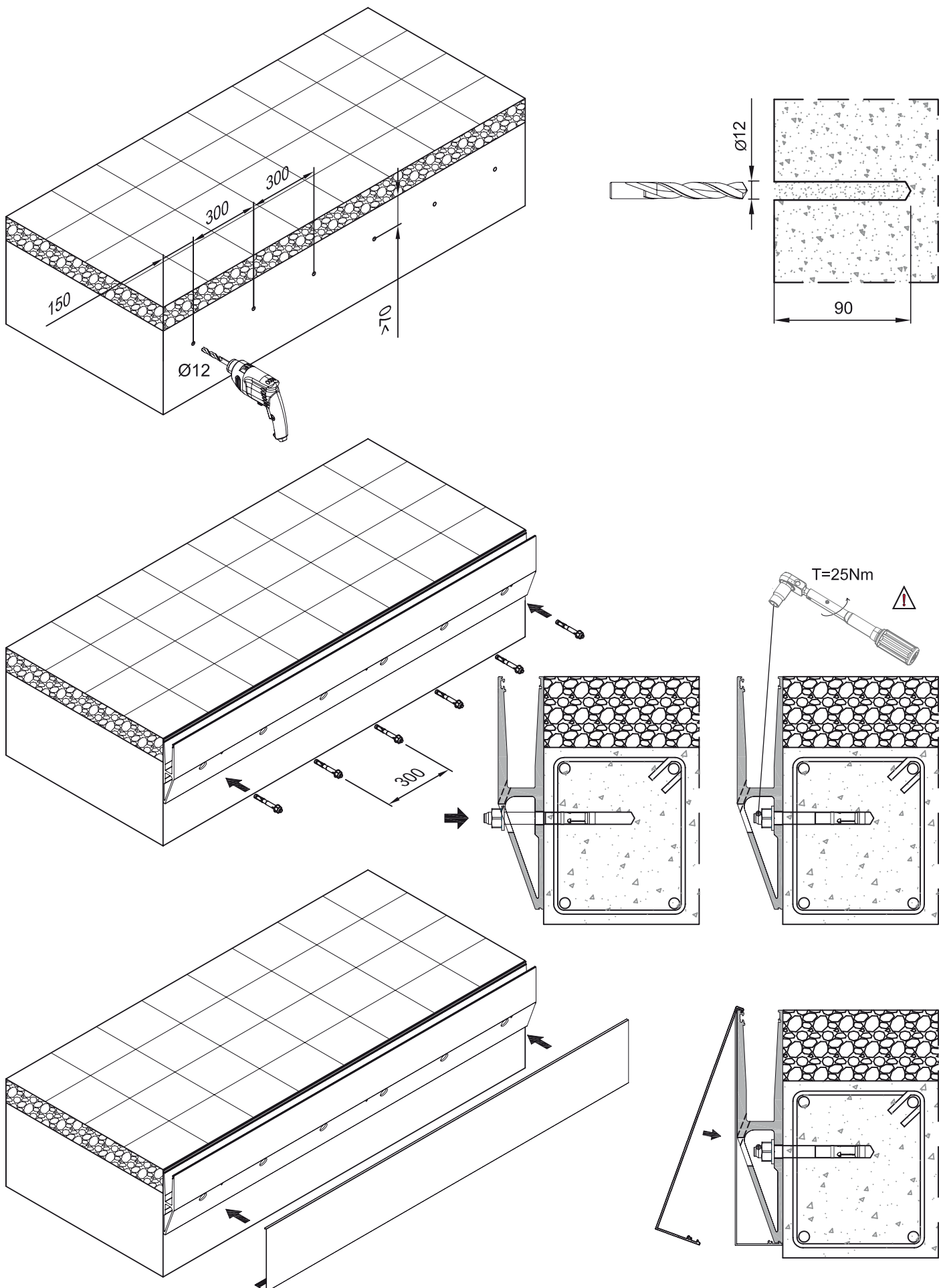
Applus⁺
laboratories

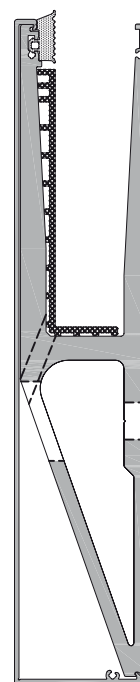
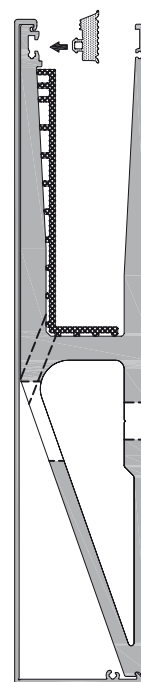
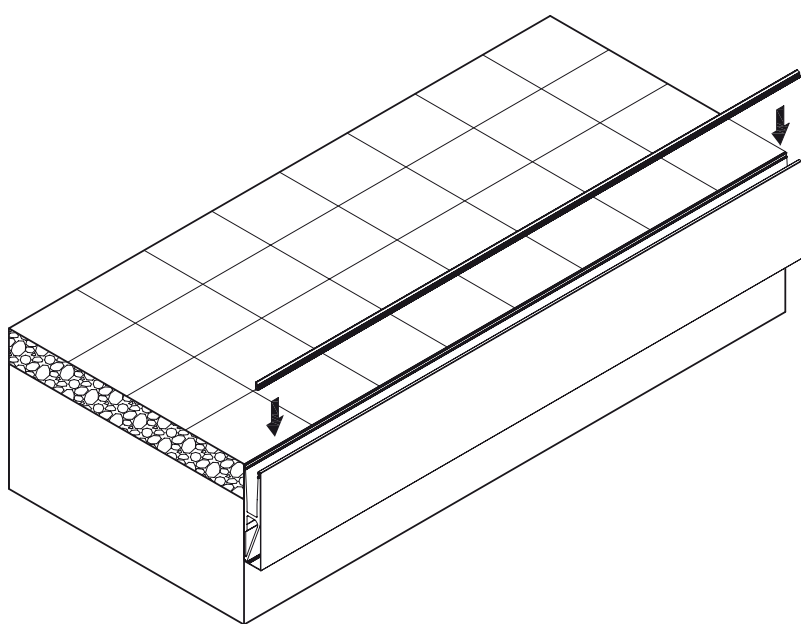
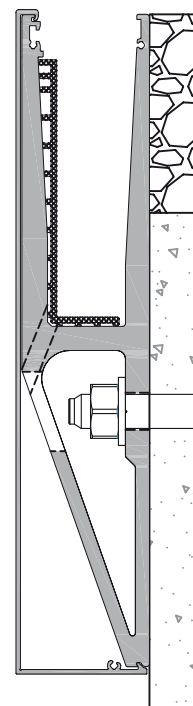
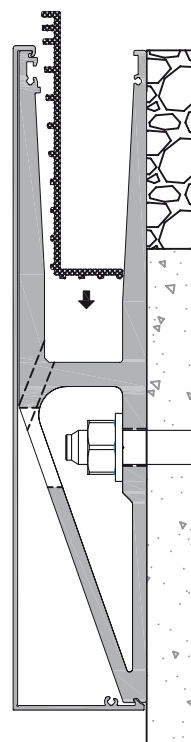
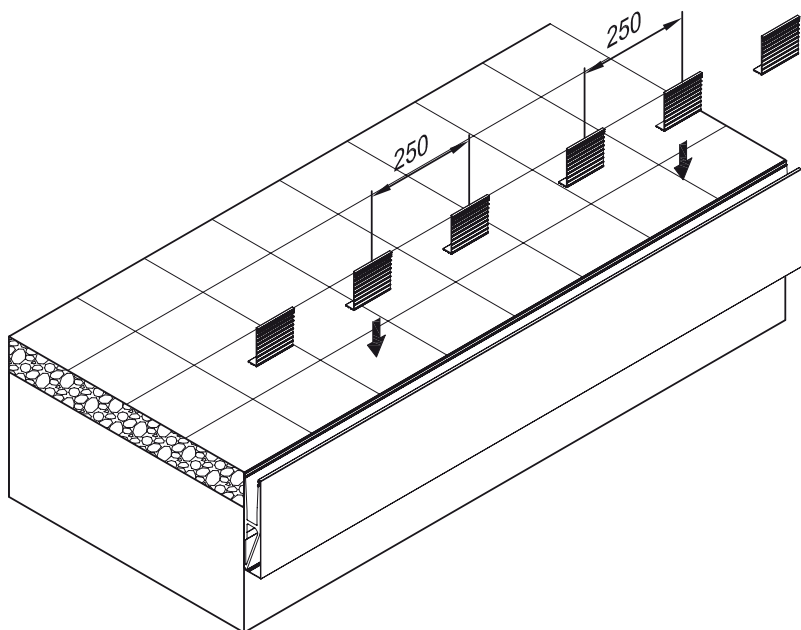


Profil U balustrada tip Y View Crystal fixare laterala - dimensiuni de gabarit si detalii montaj



Info produs profil U balustrada tip Y View Crystal fixare laterala





Info produs profil U balustrada tip Y View Crystal fixare laterala

