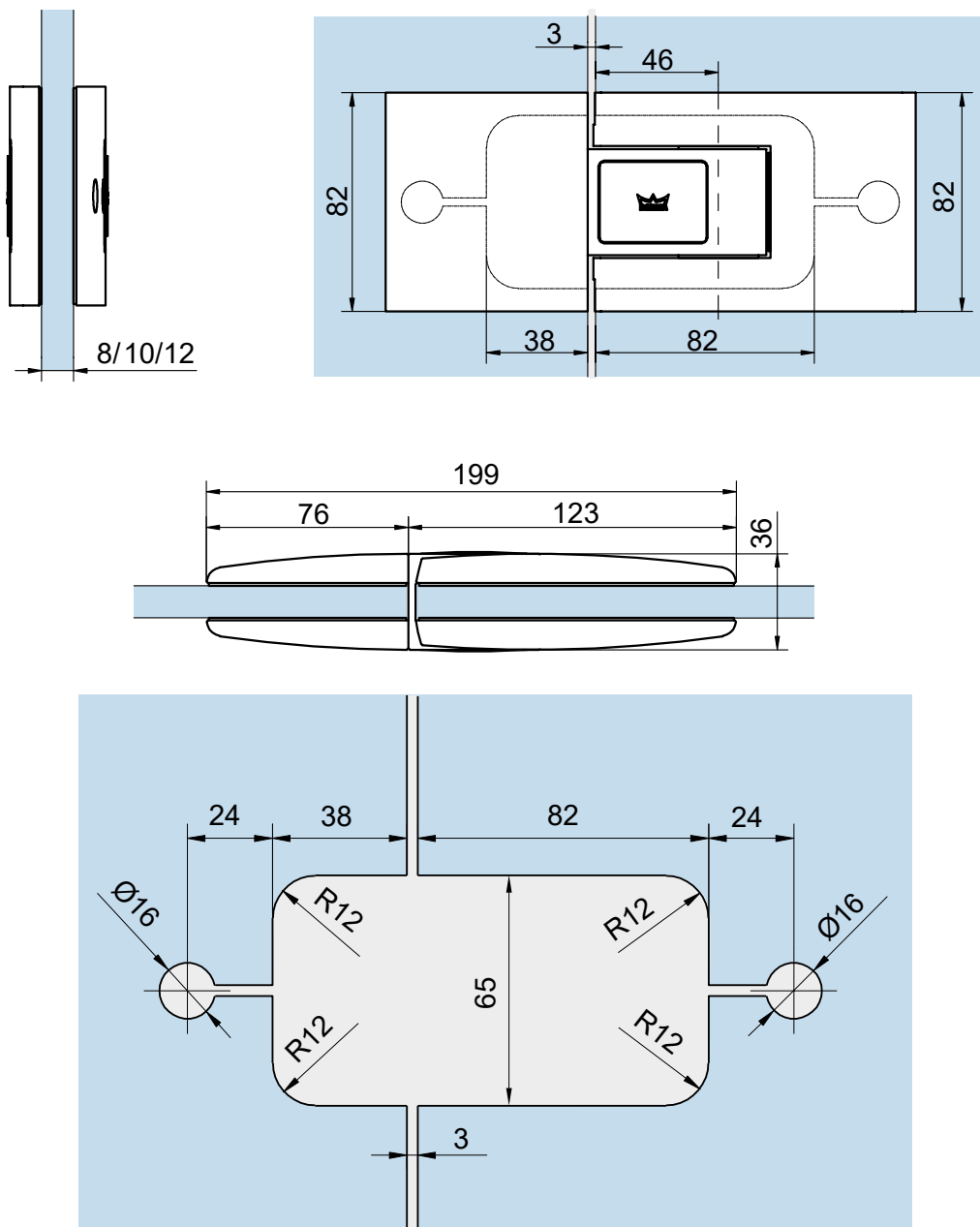
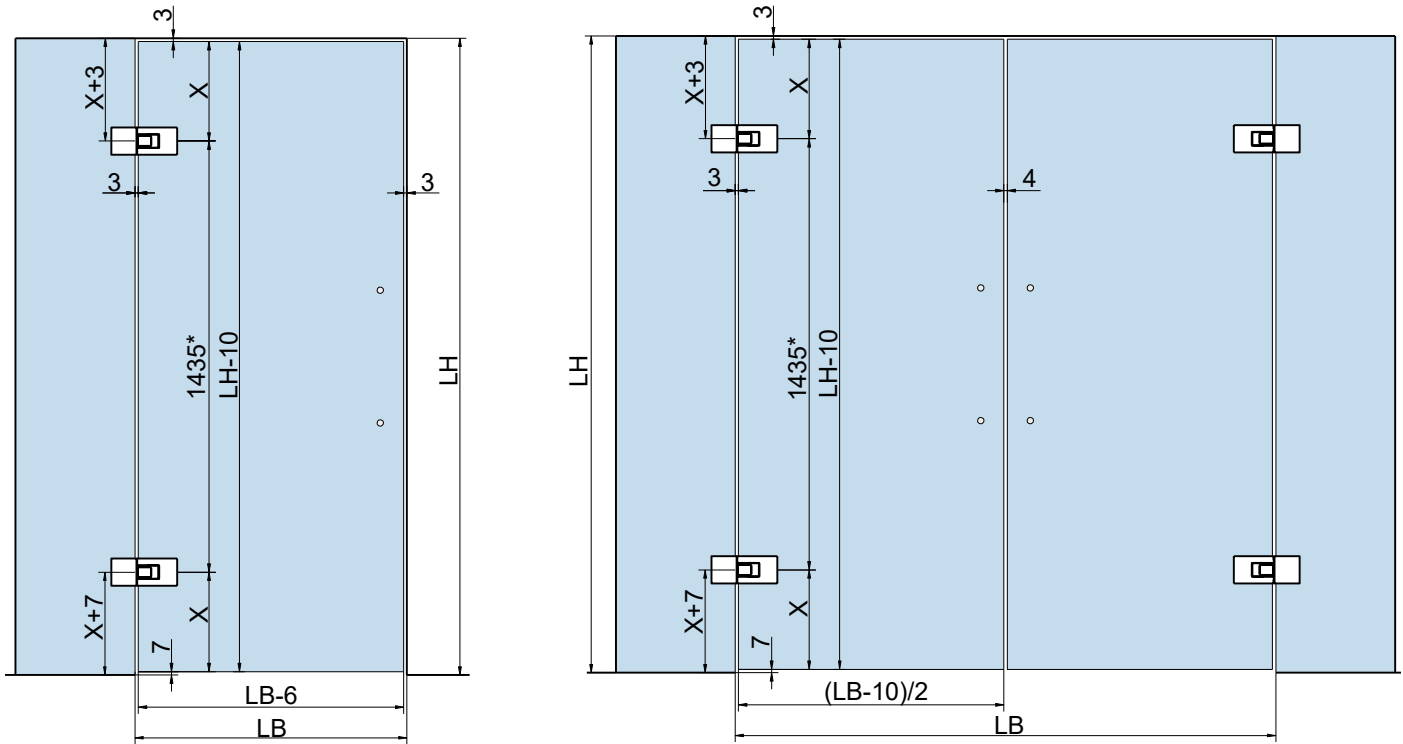


Incarcare dinamica maxim 65 kg
 Blocare la 90°
 Latime usa sticla maxim 1000 mm
 Inaltime usa sticla maxim 2500 mm
 Grosime sticla 8-12 mm



Balama hidraulica Tensor sticla/sticla - dimensiuni de gabarit si detalii prelucrare sticla





*Pentru inaltime 1800-2500 mm, latime minima usa sticla 700 mm

*Latime panou fix maxim 1500 mm